



Uppgiftslämnaren reserverar sig för eventuella fel i produktinformationen eller felaktigt registrerade uppgifter och förbehåller sig rätten att korrigera och/eller komplettera produktinformation utan föregående avisering

1 GRUNDDATA

Varubeskrivning

Radiatortermostat avsedd för Danfoss RA-N och RA-U ventiler. Termostaten är vätskestyrd och

Övriga upplysningar

Klassificeringar

ETIM ›	-EC010064 -
BK04 ›	
BSAB ›	
UNSPSC ›	

Leverantörsuppgifter

Företagsnamn

Danfoss AB

Organisationsnummer

5560523903

Adress

Industrigatan 5

Hemsida

se.varme.danfoss.com

Miljökontaktperson

Namn

Anders Gustavsson

Telefon

013-25 85 86

E-post

anders.gustavsson@danfoss.com

2 HÅLLBARHETSARBETE

Företagets certifiering

- ISO 9000
- ISO 14000

INNEHÅLLSDEKLARATION

Kemisk produkt	Nej
Omfattas varan av RoHS-direktivet	Nej
Innehåller produkten tillsatt nanomaterial, som är medvetet tillsatta för att uppnå en viss funktion	Nej
Varans vikt	0,151

Vara / Delkomponenter

Koncentrationen har beräknats på hela varan

Ingående material /komponenter	Vikt-% i komponent	CAS-nr (alt legering)	EG-nr (alt legering)	Vikt % i produkt	Kommentar
Stål EN 1.3505, C,Si,Mn,Cr (100Cr6, 2S135, 535A99, 52100)	<1%	Övrigt, metaller		<1%	
Stål 1.0873 DC06	30% - 35%	1.0873		30 - 35%	
Fjäderstål EN 10270-1	5% - 10%		EN 1027-1	5 - 10%	
Mässing CW452K (CuSn6), Pb 0,02%	1% - 2,5%	Övrigt, metaller		1 - 2,5%	
ABS plast	10% - 20%	9003-56-9		10 - 20%	
plast PBT	30% - 40%	26062-94-2	Saknas	30 - 40%	
Polykarbonat, PC	1% - 2,5%	25037-45-0	Saknas	1 - 2,5%	
Polyetersulfon, Polyethersulfone, PES	<1%	Övrigt, polymer		<1%	
Etylacetat	5% - 10%	141-78-6	205-500-4	5 - 10%	
Fett Molykote PG-75	1%			1%	

Del av materialinnehållet som är deklarerat 83% - 123%

Särskilt farliga ämnen

Varan innehåller INTE några ämnen med särskilt farliga egenskaper (Substances of very high concern, SVHC-ämnen) som finns med på kandidatförteckningen i en koncentration som överstiger 0,1 vikts-%

Utgåva av kandidatförteckningen som har använts

2018-06-27 00:00:00

Övrigt

Inget angivet

4

RÅVAROR**Återvunnet material**

Innehåller varan återvunnet material: Nej

Träråvara

Träråvara ingår i varan: Nej

5

MILJÖPÅVERKAN

Finns en miljövarudeklaration framtagen enligt EN15804 eller ISO14025 för varan

Nej

Finns annan miljövarudeklaration

Nej

6

DISTRIBUTION

Information saknas

7

BYGGSCHEDET

Ställer varan särskilda krav vid lagring?

Ja

Ställer varan särskilda krav på omgivande byggvaror?

Vet ej

8

BRUKSSCHEDET

Finns skötselanvisningar/skötselråd?

Nej

Finns en energimärkning enligt energimärkningsdirektivet (2010/30/EU) för varan?

Nej

9

RIVNING

Kräver varan särskilda åtgärder för skydd av hälsa och miljö vid rivning/demontering?

Nej

10

AVFALLSHANTERING

Omfattas den levererade varan av förordningen (2014:1075) om producentansvar för elektriska och elektroniska produkter när den blir avfall?	Nej
--	-----

Är återanvändning möjlig för hela eller delar av varan?	Nej
--	-----

Är materialåtervinning möjlig för hela eller delar av varan?	Nej
---	-----

Är energiåtervinning möjlig för hela eller delar av varan?	Nej
---	-----

Har leverantören restriktioner och rekommendationer för återanvändning, material- eller energiåtervinning eller deponering?	Ja
--	----

Alla metalldelar kan smältas ned och användas som nytt råmaterial.

Alla plastdelar kan antiingen malas ned för att användas som nytt material, eller brännas för att ge energi

När den levererade varan blir avfall, klassas den då som farligt avfall?	Nej
---	-----

Avfallskod (EWC) för den levererade varan	Ej angivet
--	------------

RSK-nummer	Eget Artikel-nr	GTIN
480 86 26	013G5921	5702425136429
480 86 27	013G5922	5702425136405
480 86 28	013G5923	5702425136382

Produktdatablad

Prestandadeklaration

Säkerhetsblad

Miljövarudeklaration

Skötselansvisning

Övriga bifogade dokument

-RAS-C sensors BVB-assessment 2016-09-30.pdf

-VDLTB207 RAS-C.pdf

Byggarubedömningen's guideline and information requirements for assessment of product, Version 2016-1.

These guidelines describe what information that Byggarubedömningen requires for assessment of articles and chemical products. Information about the article or chemical product can be provided in this document, alternatively refer to another documentation in which the corresponding information is given.

1. Product information

Product

Product name:	Radiator thermostat	
Article No.:	013G5921; 013G5922; 013G5923	
<i>Specify the type of number, for example RSK, E number, EAN, GTIN or supplier's article number. This should also be stated on the application.</i>		
Product description:	Self-acting radiator valve thermostat for ambient temperature control in rooms having water based heating systems.	
<i>On application, please attach a product data sheet or similar documentation.</i>		
Type of product:	<input type="checkbox"/> Chemical product	<input checked="" type="checkbox"/> Article
Date (year, month, day) of preparation/revision:	2016-09-30	

Supplier/Manufacturer

Supplier:	Danfoss	
Manufacturer if other than the supplier:		
<i>Voluntary information</i>		
Supplier contact:	Anders Gustavsson	
Address:	Danfoss AB SE 58199 Linköping	
E-mail:	anders.gustavsson@danfoss.com	
Phone number:	+46 1325 8586	

Supporting documentation

Has a declaration of performance, in line with the Swedish Construction Products Regulation, been prepared for the product?	<input type="checkbox"/> Yes	<input checked="" type="checkbox"/> No
<i>If yes, attach the declaration of performance with the application</i>		
Is the article/product an electronic product and covered by the RoHS-directive (2011/65/EU)?	<input type="checkbox"/> Yes	<input checked="" type="checkbox"/> No
<i>If yes, attach an "EU Declaration of Conformity", or alternatively another certificate that attests that the product corresponds to the requirements according to the RoHS-directive (2011/65/EU), together with the application</i>		
If the article/product is an electronic product that is covered by an exemption according to RoHS-directive (2011/65/EU), specify which exemption and date (year, month, day) when the exemption expires if time-limited:	Exemptions according to RoHS: Date:	

2. Declaration of contents:

Does the product or any of its subcomponents, if it is a composite product, contain substances with particularly hazardous properties (Substances of Very High Concern, SVHC-substances), which are included in the Candidate List at a concentration above 0.1 weight%?	<input type="checkbox"/> Yes	<input checked="" type="checkbox"/> No
<i>If yes, specify which substances in Table 1.</i>		
State the date (year, month, day) for control the Candidate List.	Date: 2016-09-27	
The concentration is calculated at component level established on the principle "once a product, always a product" principle. The Candidate List is available at: http://echa.europa.eu/sv/candidate-list-table .		

Specify the total content of the article or the chemical product, **on delivery**, in Table 1, or alternatively attach other documentation that provides the corresponding information. For instructions, please refer to the "Declaration of contents, BVB's declaration requirements, 2016-1", which is found at the end of this document.

Table 1, Contents of included substances and material (declaration of content in accordance with requirements)

Included substances and material	EG No./CAS No. (alternatively alloy)	Weight % (of entire product)	When applicable, state for which subcomponent	Weight% (of substance in subcomponent)	Comments (state eventual application of non-harmonized classifications)
Steel	1.0873	30-35%			
Steel	1.3505	<1%			
Steel	1.0338	1-2.5%			
Steel, spring wire	EN 10270-1	5-10%			
Tin bronze	CW452K	1-2.5%			
Plastic	ABS	10-20%			
Plastic	PBT, 30%GF	30-40%			
Plastic	PC	1-2.5%			
Plastic	PES	<1%			
Ethyl acetate	141-78-6	5-10%	Charging media		
Grease	Molykote PG-75	<1%			

Are all substances reported in percentages down to 0.01% in Table 1? <i>(enable assessment with regard to the Recommended level)</i>	<input type="checkbox"/> Yes	<input checked="" type="checkbox"/> No
<i>If not, does the report fulfill the instructions for the Accepted level, which is described in "Declaration of contents, BVB's declaration requirements, 2016-1", which is found at the end of this document</i>	<input checked="" type="checkbox"/> Yes	<input type="checkbox"/> No
If any deviations from BVB's reporting requirements exist, specify these in the comments in Table 1, or alternatively here.	Other comments:	

If the chemical composition differs after application, then the content of the applied product is given in Table 2. This applies to chemical products. If the content is unchanged, no information needs to be provided in the table.

Table 2, Contents for applied products (full content in accordance with declaration requirements)

Included substances and material	EG No./CAS No.	Weight% (of the applied product)	Comments (state any application of non-harmonized classifications)
If any deviations from BVB's reporting requirements exist, specify these in the comments in Table 2, or alternatively here.	Other comments:		

Nanomaterial

Does the product contain any nanomaterial that has been purposefully added to achieve a specific function? <i>Information regarding whether nanomaterial has been added to achieve a specific function must be stated, but has no impact on the assessment.</i>	<input type="checkbox"/> Yes	<input checked="" type="checkbox"/> No
<i>If yes, specify the material.</i>	Material:	

3. Recycled raw material

Does the product contain recycled material?	<input type="checkbox"/> Yes	<input checked="" type="checkbox"/> No
<i>If yes, fill in Table 3.</i>		

If the product consists of recycled materials specify the material and the percentages of the total weight of the product, in *Table 3, Recycled materials*.

Table 3, Recycled material

Material	Percentage (%) of the total product's weight	Percentage (%) of the recycled material that has not reached the consumer level, such as production waste, etc. (pre-consumer)	Percentage (%) of the recycled material that has reached the consumer level (post-consumer)	Comments

If wood raw material is included

Can the product be ordered with sustainability certificates for the wood raw material? <i>E.g.: FSC and PEFC</i>	<input type="checkbox"/> Yes	<input type="checkbox"/> No
Explain if the certificate does not cover all of the wood raw material:		
<i>If yes, attach a certificate/assurance that the product can be ordered with a sustainability certificate together with the application.</i>		
<i>If no, state the country where the wood raw material was harvested.</i>	Country of harvest:	
Is the wood species or origin in the CITES appendix for endangered species?	<input type="checkbox"/> Yes	<input type="checkbox"/> No

4. The production phase

Has an Environmental Product Declaration (EPD) been prepared?	<input type="checkbox"/> Yes	<input checked="" type="checkbox"/> No
<i>If yes, enclose the EPD (Environmental Product Declaration) or other environmental product declaration together with the application.</i>		

5. Distribution of the completed product

Describe the management of packaging for the distribution of the product <i>State whether any system for taking back or recycling packaging or any other specific return system is used.</i> <i>Specify the packaging material used and which system of producer responsibility for packaging the supplier is affiliated to.</i> <i>Enter the proportion of recycled material, if any, included in the packaging.</i>	Description of the packaging: No system for taking back or recycling of packaging. All products are in cardboard box.
Other information:	

6. Construction and usage phase

Are there any special requirements such as storage conditions etc. for the product during storage?	<input checked="" type="checkbox"/> Yes	<input type="checkbox"/> No	
<i>If yes, describe:</i> To be stored indoor and at max temperature at 50°C			
Are there any special requirements for adjacent building products because of this product?	<input type="checkbox"/> Yes	<input checked="" type="checkbox"/> No	
<i>If yes, describe:</i>			
Are there any operating/care instructions for the product?	<input type="checkbox"/> Yes	<input checked="" type="checkbox"/> No	
<i>If yes, attach the documentation with the application.</i>			
Is the product energy labelled in accordance with the Energy Labelling Directive (2010/30/EU)?	<input type="checkbox"/> Yes	<input checked="" type="checkbox"/> No	<input type="checkbox"/> Not relevant
<i>If yes, state class (G to A, A+, A++, A+++):</i>	Class:		

7. Waste management

Does the product require special measures to protect health and the environment in conjunction with demolition/dismantling?	<input type="checkbox"/> Yes	<input checked="" type="checkbox"/> No	
<i>If yes, describe:</i>			
Is the product covered by the WEEE-directive 2012/19/EU (Swedish ordinance (2014:1075) on Producer Responsibility for electrical and electronic products when it becomes waste?	<input type="checkbox"/> Yes	<input checked="" type="checkbox"/> No	
Is it possible to re-use all or parts of the product? (can the product be reused within the product's expected lifetime)?	<input type="checkbox"/> Yes	<input checked="" type="checkbox"/> No	
<i>If yes, describe:</i>			
Is material recycling possible for all or parts of the product when it becomes waste?	<input checked="" type="checkbox"/> Yes	<input type="checkbox"/> No	
<i>If yes, describe:</i> All metal parts can be re-melted and used as new raw material All plastic parts can be re-grinded and used as new raw material			
Is energy recycling possible for all or parts of the product when it becomes waste?	<input checked="" type="checkbox"/> Yes	<input type="checkbox"/> No	
Does the supplier have any restrictions and recommendations for reuse, material- or energy recycling or disposal?	<input checked="" type="checkbox"/> Yes	<input type="checkbox"/> No	
<i>If yes, specify which:</i> All metal parts can be re-melted and used as new raw material All plastic parts can either be re-grinded and used as new raw material or burned to give energy			
When the supplied product becomes waste, is it classified as hazardous waste?	<input type="checkbox"/> Yes	<input checked="" type="checkbox"/> No	
<i>If yes, specify the waste code:</i> The Swedish waste ordinance (2011:927) https://www.notisum.se/mp/sls/lag/20110927.htm	Waste code:		

8. Indoor environment

Has the product a critical moisture condition: <i>Information regarding whether critical moisture conditions leading to microbial growth apply for the material/product should be stated, but will not impact the assessment.</i>	<input type="checkbox"/> Yes	<input checked="" type="checkbox"/> No
<i>If yes, specify which:</i>		
Is the product intended for use indoors?	<input checked="" type="checkbox"/> Yes	<input type="checkbox"/> No
<i>If yes, has emission data been produced for volatile organic compounds?</i>	<input type="checkbox"/> Yes	<input checked="" type="checkbox"/> No
<i>If yes, attach the report/certificate together with the application.</i>		
<i>If no, is there any motivation for why emission data for volatile organic compounds is not relevant for the product?</i>	Motivation: Mechanical product without any emission	
Is the product a chemical product intended for indoor use?	<input type="checkbox"/> Yes	<input checked="" type="checkbox"/> No
<i>If yes, has emission data been produced for volatile organic compounds?</i>	<input type="checkbox"/> Yes	<input type="checkbox"/> No
<i>If yes, attach the report/certificate together with the application.</i>		
<i>If no, is there any motivation for why emission data for volatile organic compounds is not relevant for the product?</i>	Motivation: Mechanical product without any emission	

Certificate of substance content and concentrations version. 4.0

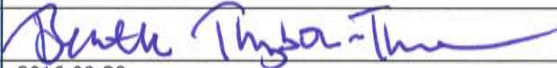
This certificate is required for the Recommended assessment level for chemical contents. This page should be printed to be signed and uploaded separately in PDF-format in connection with the application.

Certificate of declaration of substance content

For the products specified below, with their stated article numbers, the following is certified: <i>Choose whether to certify alternative A or B.</i>	
<p>A <input type="checkbox"/></p>	<p>It is hereby certified that concentrations of the included substances down to 0.01 weight% have been reported, and that cadmium and mercury do not occur in the product.</p> <p>or:</p> <p>The substances included are reported in line with the instructions for the Declaration of Contents, BVB's reporting requirements 2016-1, and correspond to the reporting requirements for the Recommended level.</p>
<p>B <input checked="" type="checkbox"/></p>	<p>It is hereby certified that concentrations of the included substances down to 0.1 weight% have been reported, and that cadmium and mercury do not occur in the product.</p> <p>or:</p> <p>The substances included are reported in line with the instructions for the Declaration of Contents, BVB's reporting requirements 2016-1, and correspond to the reporting requirements for the Accepted level.</p>
For the products specified below, with their stated article numbers, the following is certified: <i>Choose whether to certify alternative C or D.</i>	
<p>C <input checked="" type="checkbox"/></p>	<p>It is hereby certified that the specified product/s do not contain specifically indicated substances and groups of substances in accordance with Table 4, Specifically indicated substances. These have not been added during production and have not been formed through reactions between the substances in the product.</p>
<p>D <input type="checkbox"/></p>	<p>Unfortunately, we have to notify that the specified products contain specifically indicated substances in accordance with Table 4, Specifically indicated substances. Some of these substances have been added or been formed during reaction between the substances in the product, please see the Declaration of Contents.</p>

Table 4, Specifically indicated substances

Substance group/Substance	Examples of properties
1. Arsenic and its compounds ¹	Toxic, Environmentally hazardous
2. Brominated flame retardants	Potentially PBT/vPvB, PBT/vPvB
3. PFOA (perfluorooctanoic acid)	Persistent, bioaccumulative, probable reproductive toxicity
4. PFOS (perfluorooctanesulfonates)	Potentially PBT/vPvB, PBT/vPvB
5. Organotin compounds	Potentially PBT/vPvB, PBT/vPvB, Toxic, Environmentally hazardous
6. Biocidal product applied on products (surface treatments) to provide a disinfectant or anti-bacterial effect.	Toxic, Environmentally hazardous

<i>Product identification: (designation and article number)</i>	013G2970; 013G2972; 013G2977; 013G2978; 013G2990; 013G2992
<i>State reference (name and version/date) that contains the actual Declaration of Contents:</i>	
<i>Person responsible for making declaration:</i>	Benthe Thyboe-Thomsen R&D Director
<i>Signature:</i>	
<i>Place and date (year, month, day):</i>	2016-09-30

¹ Arsenic, or arsenic compounds, are not permitted to be added to the product. Contamination of used raw materials is not permitted to exceed 10 mg/kg. The concentration limit is set based on regulatory requirements for soil quality to ensure that accepted products do not raise background concentrations through their use or disposal (for example; sludge from sewage treatment works Swedish Ordinance 1998:944, Section 20). The same concentration limits are found in the Swedish Environmental Protection Agency's general guidelines for less sensitive land use (MKM).

Declaration of contents, BVB's declaration requirements, 2016-1

A complete declaration of contents in accordance with the instructions should be made for both products and chemical products. For products, minimum concentrations have to be reported as a weight% for the entire product. The contents can be provided in other documentation, if the reporting instructions are complied with, or alternatively supplemented so that they are in compliance. Reporting requirements for the Accepted level correspond to the requirements for "e-BVD2015".

For the Accepted and Recommended levels, classified substances are needed to be reported in the documentation if concentrations exceed limits (weight%) in accordance with *Table 5, Classified substances*. Those substances that are not included in Table 5 must be reported when concentrations of $\geq 2\%$ occur.

Material and substance contains can be provided in intervals. Examples of accepted intervals are: $\leq 1\%$, 1-2.5%, 2.5-10%, 10-25%, 25-50%, 50-75%, 75-100%. In occasion of large intervals, state the reason for the variance and describe what materials/substances increase or decrease in proportion if the product, for example, comes in different sizes.

If classification is applied that is not covered by harmonized classification, this information requires to be reported in the comments column for that substance.

Table 5, Classified substances

Hazard class	Reporting limit	
	Accepted	Recommended
Carcinogenic categories 1A and 1B (H350)	$\geq 0.1\%$	$\geq 0.01\%$
Carcinogenic category 2 (H351)	$\geq 1\%$	$\geq 0.1\%$
Mutagenic categories 1A and 1B (H340)	$\geq 0.1\%$	$\geq 0.01\%$
Mutagenic category 2 (H341)	$\geq 1\%$	$\geq 0.1\%$
Reproductive toxicity, categories 1A and 1B (H360)	$\geq 0.3\%$	$\geq 0.03\%$
Reproductive toxicity, category 2 (H361)	$\geq 2\%$	$\geq 0.3\%$
Reproductive toxicity effects on or through breastfeeding (H362)	$\geq 0.3\%$	$\geq 0.03\%$
Endocrine disruptors ^{1, 2}	$\geq 0.1\%$	$\geq 0.01\%$
PBT and/or vPvB ³	$\geq 0.1\%$	$\geq 0.01\%$
Skin sensitizers (H317)	$\geq 1\%$	$\geq 0.1\%$
Respiratory sensitizers (H334)	$\geq 0.2\%$	$\geq 0.02\%$
Hazardous to aquatic environments, chronic category 1 (H410)	$\geq 2\%$	$\geq 0.25\%$
Ozone depleting substances (EUH 059 and H420)	$\geq 0.1\%$	$\geq 0.01\%$
Acute toxicity category 1 (H300, H310, H330, H301, H311 and/or H331)	$\geq 0.1\%$	$\geq 0.01\%$
Acute toxicity category 2 (H300, H310, H330, H301, H311 and/or H331)	$\geq 1\%$	$\geq 0.1\%$
Acute toxicity category 3 (H300, H310, H330, H301, H311 and/or H331)	$\geq 2\%$	$\geq 1\%$
Pure or compounds of cadmium (Cd)	$\geq 0.01\%$	$\geq 0.001\%$
Pure or compounds of lead (Pb)	$\geq 0.1\%$	$\geq 0.01\%$
Pure or compounds of mercury (Hg)	Contamination ≥ 2.5 mg/kg (ppm) of active additives must always be reported.	
¹ Endocrine disruptors (EDS list)	$\geq 0.1\%$	$\geq 0.01\%$
² Endocrine disruptors (SIN list)		$\geq 0.01\%$
³ PBT, vPvB (SIN list)	$\geq 0.1\%$	$\geq 0.01\%$
Candidate List	$\geq 0.1\%^*$	$\geq 0.01\%$
Other classifications or unclassified substances and material	$\geq 2\%$	$\geq 2\%$

*Substances on the Candidate List have to be reported at component level.

Descriptions of material

Substances should be reported with their CAS- or EC number. Exemptions for certain material can be performed in accordance with the following instructions.

Metals should always be reported together with their alloy number. Alternatively, substances comprising more than 0.01% of the alloy has to be specified in the documentation.

Plastics and rubber materials should be reported together with their name so that it is clearly which monomers that are included, for example, acrylonitrile butadiene styrene (ABS), polyethylene (PE), etc. Additives that have not formed polymers should always be reported in accordance with Table 5 (for example pigments, plasticizers, stabilizers, etc.). BVB always requires that compounds used as plasticizers is declared for PVC plastics ($\geq 2\%$).

Plastics/polymers with descriptions in line with the following list are accepted without specification of monomers.

- Polycarbonate (pertains to bisphenol A based polycarbonates)
- Polyester (monomers must be specified for halogenated polyesters)
- Polyurethane (monomers must be specified for halogenated polyurethanes)
- Fiberglass reinforced epoxy resin laminates FR4 (pertains to tetrabromobisphenol A based polymers)

Other materials with the following descriptions are accepted without clarification or detailed description of their components as the materials normally consist of:

- Glass
- Concrete

Examples of designations of plastics/polymers and other material descriptions that require further clarification are:

- Dispersion polymerization
- Copolymer
- Thermoplastic elastomers (TPE)
- Thermoplastics
- MS polymers
- Mineral fillers

References can be given for composite products to other products (subcomponents) that have been assessed in BVB's system and which have been provided with a BVB ID.

Complex products can be referred to another product (subcomponent), which are estimated in BVB's systems and provided with BVB ID.

Datablad

RAS-C radiatortermostat

Användning



RAS-C radiatortermostater är avsedda för användning på Danfoss radiatorventiler i alla central- och fjärrvärmesystem.

RAS-C termostater är självverkande proportionalstyrenheter med litet P-band, avsedda för vattenburna radiatorer för bostadsuppvärmning.

RAS-C termostater har en snäplåsmekanism som garanterar snabb, säker och hållbar montering på ventilluset, utan verktyg.

Alla RAS-C termostater har frostskyddsinställning.

RAS-C termostater gör det också möjligt att begränsa inställningen inom temperaturområdet


RAS-C har en extra robust konstruktion, och såväl ändstoppens hållfasthet som termostatens böjhållfasthet ligger över de krav som ställs i den europeiska standarden SS-EN 215.

Beställning och specifikationer

Typ	Termostat	Inställningsområde ¹⁾	Artikelnr
RAS-C 5921	Inbyggd	Rumstemperatur 8–21 °C	013G5921
RAS-C 5922	Inbyggd	Rumstemperatur 8–22 °C	013G5922
RAS-C 5923	Inbyggd	Rumstemperatur 8–23 °C	013G5923

¹⁾ Temperaturer anges för $X_p = 2K$, ventilen stängs alltså vid en temperatur 2 °C över rumstemperaturen.

Kvalitet

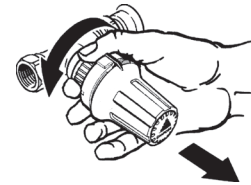
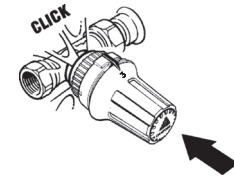
 RAS-C radiatortermostater är tillverkade enligt de mest strikta standarderna, och är godkända enligt den europeiska standarden SS-EN 215.

Datablad

RAS-C radiatortermostat

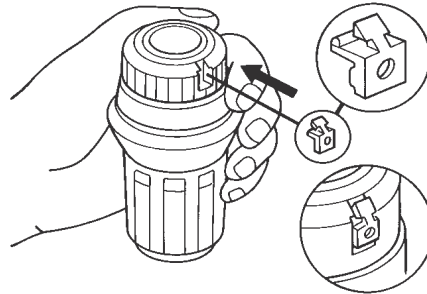
Montering

Danfoss snäpplåsmekanism är enkel att montera och kräver inga verktyg så snart ventilens transportskydd har avmonterats. Termostaten trycks fast på ventilen med ett lätt tryck.

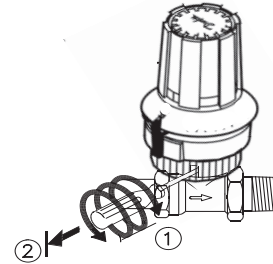


När termostaten sitter på plats aktiveras snäpplåsmekanismen, och den har då monterats korrekt. Om termostaten demonteras och återmonteras måste mekanismen laddas om genom att man vrider på låsringen.

Stölskydd




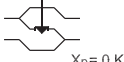
Tryck in låsknappen så snart termostaten har monterats på ventilen. Därefter kan termostaten inte avmonteras.



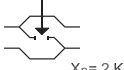
Avlägsna stölskyddet genom att använda mejsel 013G1236 för att gänga ned i hålet (1). Dra ut tills det tar stopp (2). Det går nu att ta bort termostaten från ventilen.
Nya Stölskydd plug : 013G5245

Ställa in temperaturen





$X_p = 0 \text{ K}$



$X_p = 2 \text{ K}$

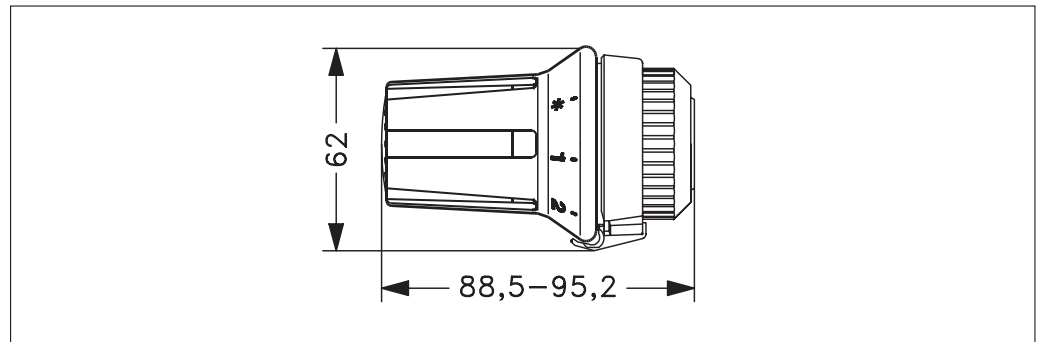
* = Frostskyddsinställning

	10	14	18	22	°C
0	*	1	2	3	
	8	12	16	20	°C

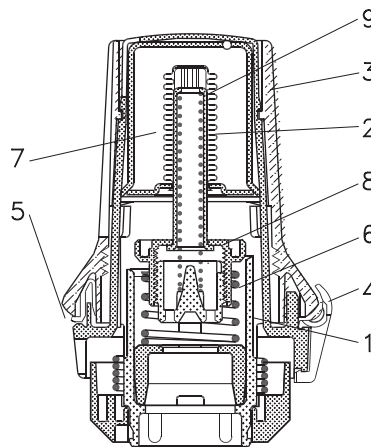
Önskad rumstemperatur ställer man in genom att vrider på inställningsvredet. Temperaturskalorna visar sambandet mellan värdena på skalan och rumstemperaturen. Angivna temperaturvärden är endast vägledande, eftersom den uppnådda rumstemperaturen ofta påverkas av installationsförhållandena.

Temperaturskalorna anges i enlighet med europeiska standarder till $X_p = 2 \text{ °C}$. Detta innebär att radiatortermostaterna stängs vid en termostattemperatur som är 2 °C högre än vad temperaturskalorna visar.

Mått



Konstruktion och funktion



1. Uttag
2. Bälge
3. Inställningsvred
4. Inställningsmarkering
5. Begränsningsstift
6. Återställningsfjäder
7. Termostatmedium
8. Spindel
9. Fjäder

Danfoss A/S
Heating Solutions
Haarupvaenget 11
8600 Silkeborg
Denmark
Phone: +45 7488 8000
Fax: +45 7488 8100
e-mail: heating.solutions@danfoss.com
www.heating.danfoss.com

Danfoss tar ej på sig något ansvar för eventuella fel i kataloger, broschyrer eller annat tryckt material. Danfoss förbehåller sig rätt till (konstruktions) ändringar av sina produkter utan föregående avisering. Det samma gäller produkter upptagna på inestående order under förutsättning att redan avtalade specifikationer ej ändras. Alla varumärken i det här materialet tillhör respektive företag. Danfoss och Danfoss logotyp är varumärken som tillhör Danfoss A/S. Med ensamrätt.
